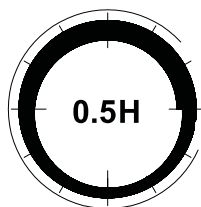
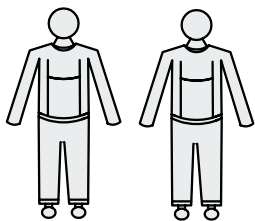
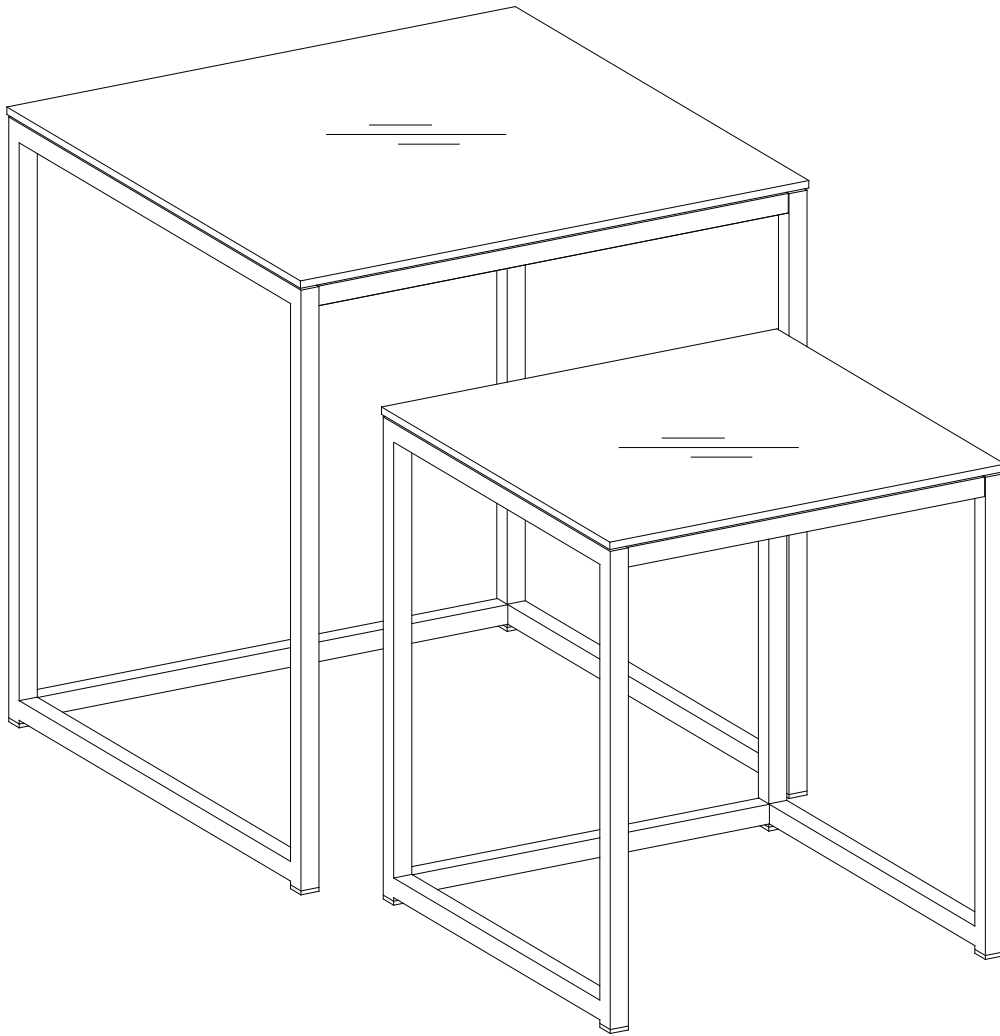
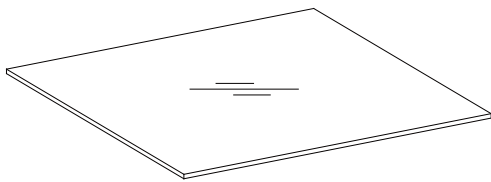
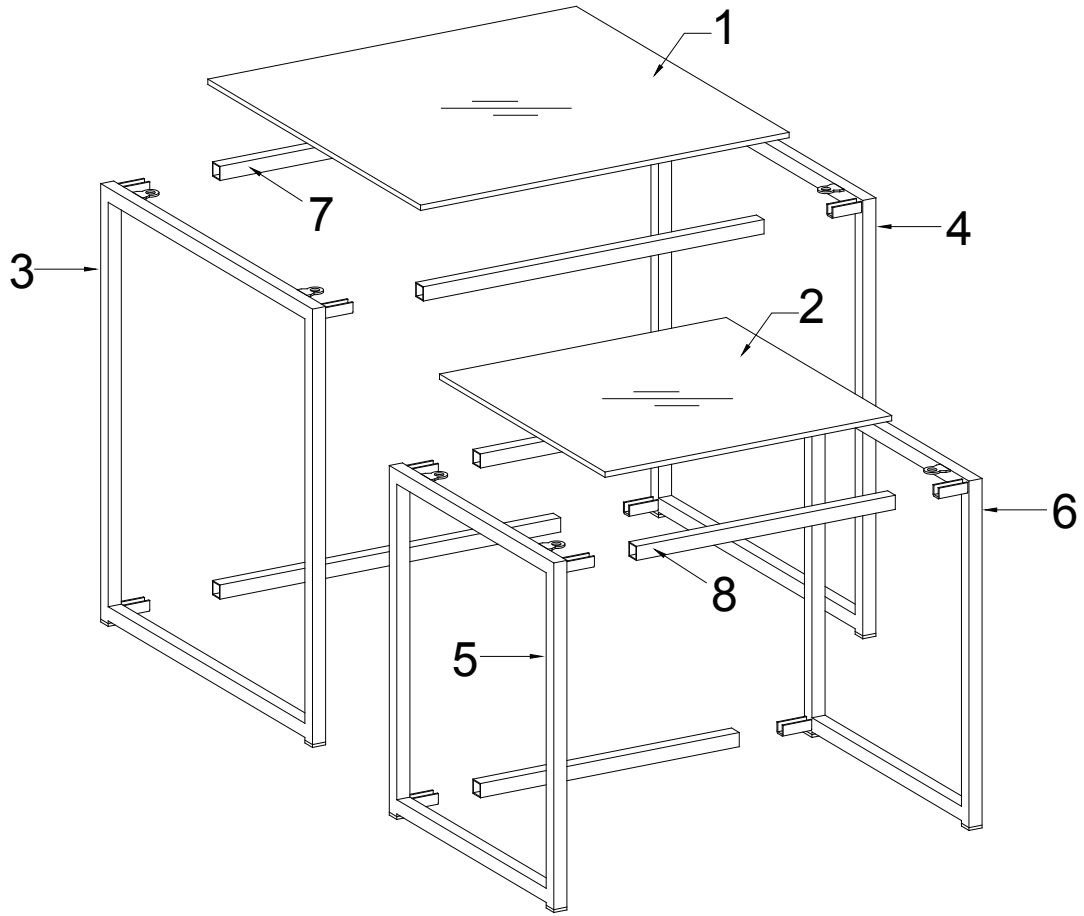
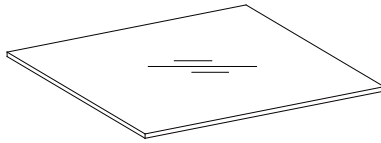

ELGIN

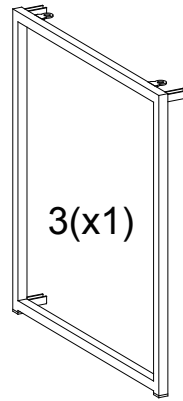




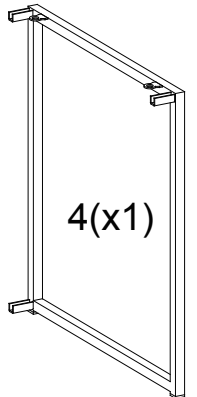
1(x1)



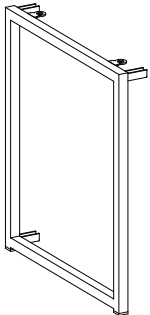
2(x1)



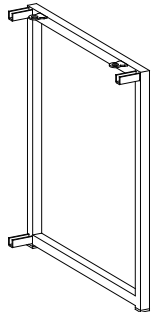
3(x1)



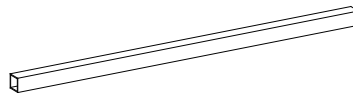
4(x1)



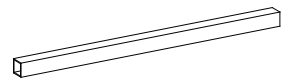
5(x1)



6(x1)



7(x3)



8(x3)

M6x10
A x24



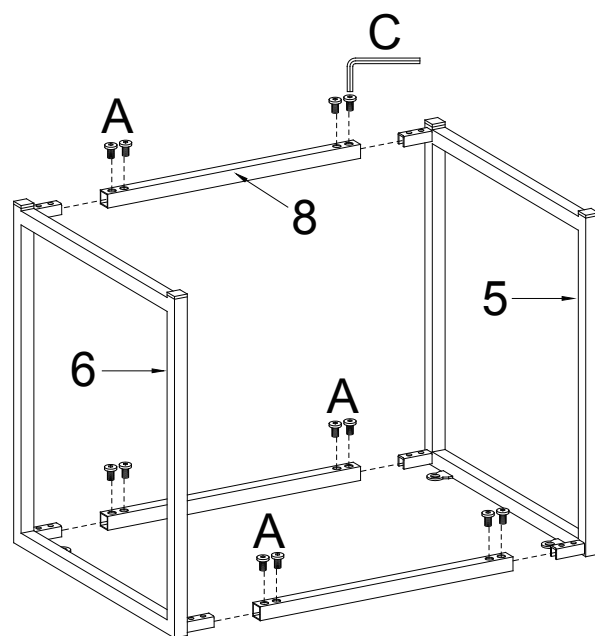
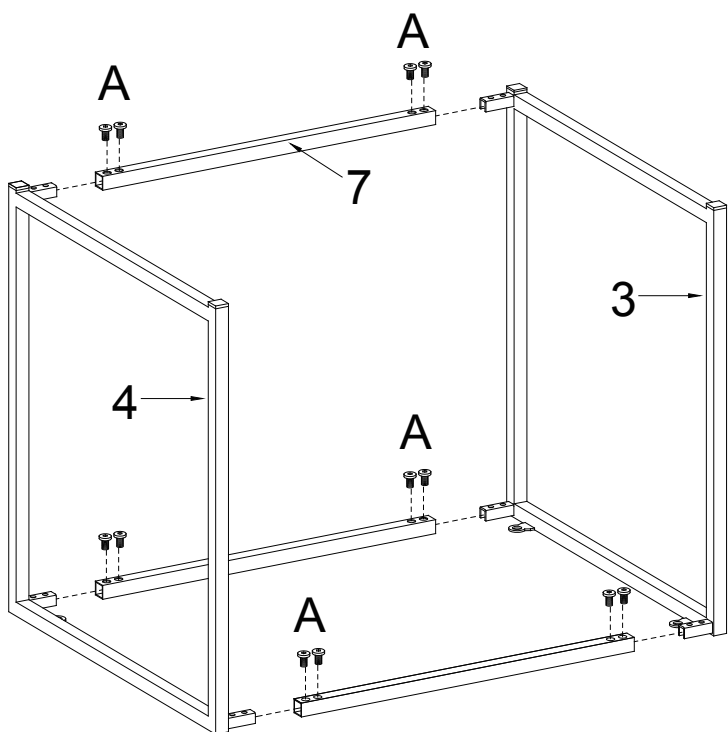
Ø30
Bx8



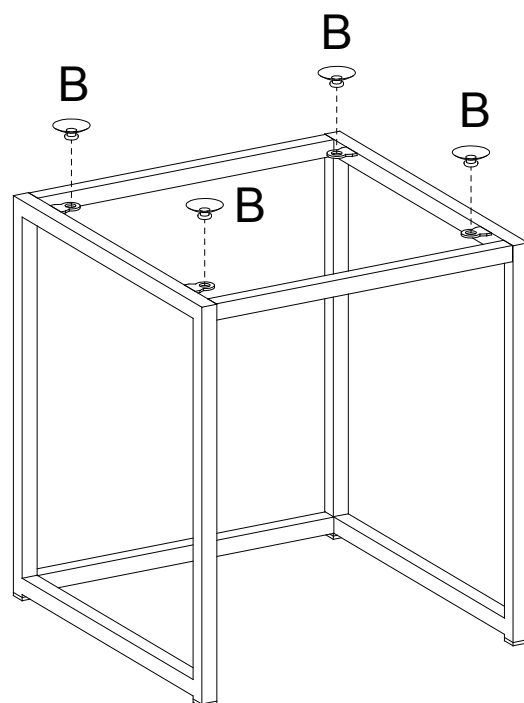
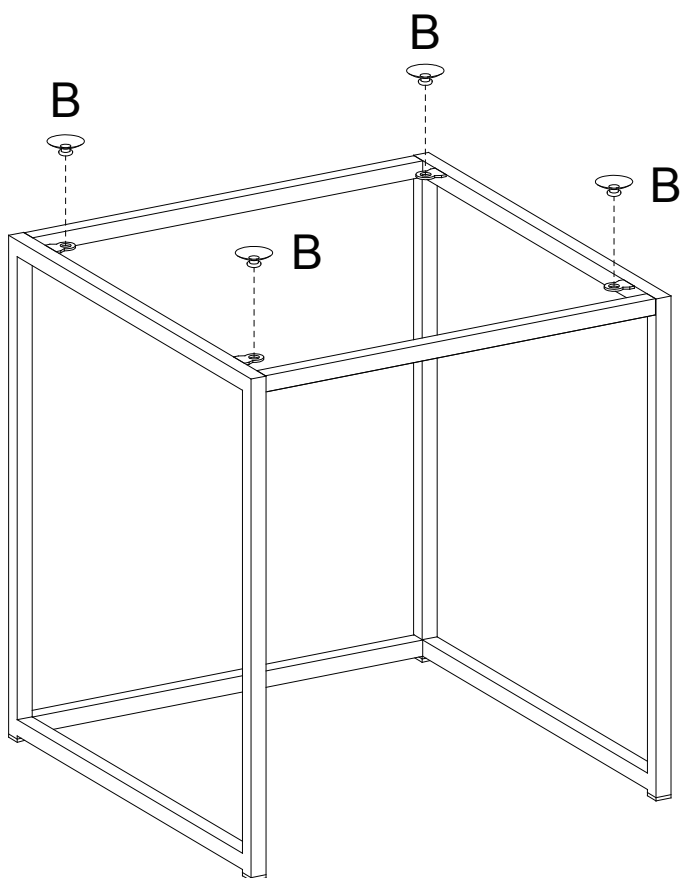
4MM
Cx1



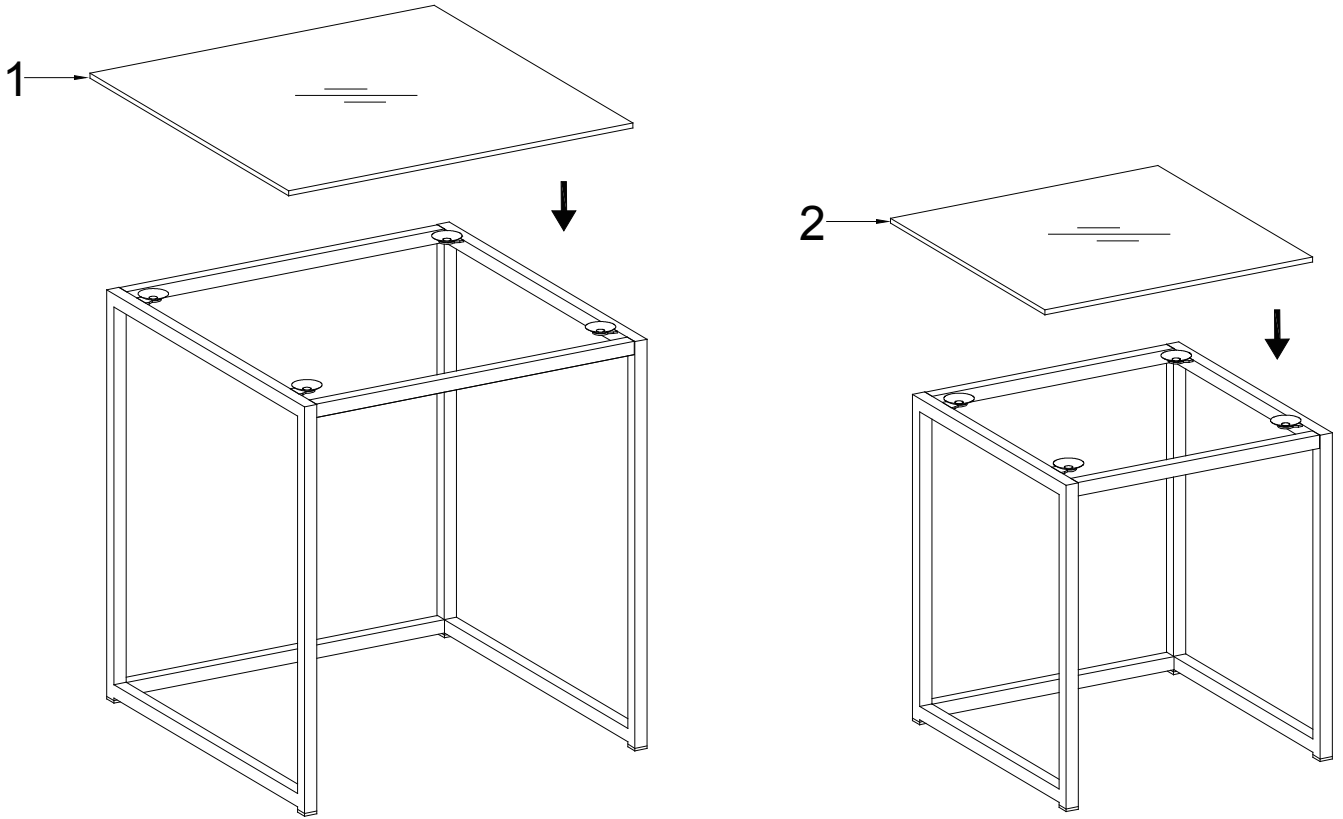
1



2



3



4

